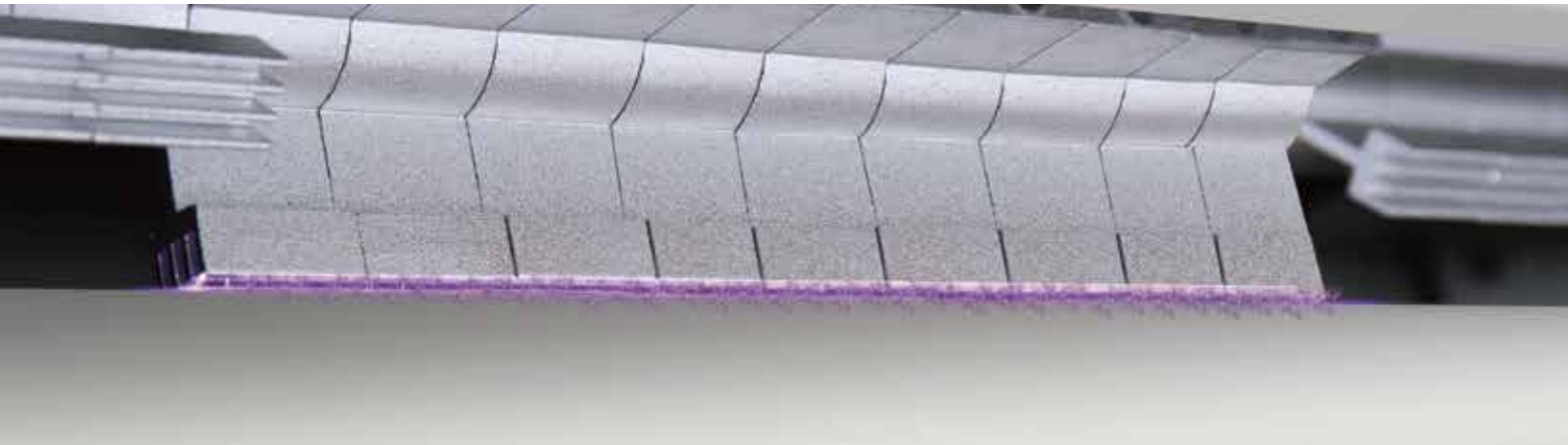


- ✎ Corona Treatment
- ✎ Static Eliminator Series
- ✎ Magnetic Powder Brake&Clutch
- ✎ Automatic Air-Feeding Controller



RUIAN HONGCHANG

Industry Control Equipment Co., Ltd

宏昶工控

瑞安市宏昶工控设备有限公司

Ruian Hongchang Industry Control Equipment Co., Ltd

地址: 瑞安市经济开发区金源路88号

ADD: NO 88 Jinyuan Rd, Economic Development Zone,
Ruian City, Zhejiang Province, China

TEL: 0086-0577-66605610 / 65620285

FAX: 0086-0577-66605612

Mobile: 0086-18067788576 / 18057733660 / 13705871521

QQ: 18067788576 / 3370953156 / 819375261

Wechat: 18067788576 / 18057733660

E-mai: corona@hwgongkong.com / sales@hwgongkong.com

Web

www.hongweigk.com

www.hwgongkong.com

Alibaba

[Http://shop1383152398216.1688.com](http://shop1383152398216.1688.com)

[Http://coronachina.en.alibaba.com](http://coronachina.en.alibaba.com)





RUIAN HONGCHANG INDUSTRY CONTROL EQUIPMENT CO., LTD



行业领先 服务全球

瑞安市宏昶工控设备有限公司是一家集生产，科研，销售一体的塑机电器设备制造企业，成立于2005年（前身为宏伟工控电器经营部）。Ruian Hongchang Industry Control Equipment CO.,LTD, established in 2005,is a set of Machinery Electrical Equipments production, scientific research, sales of integrated professional company.

企业简介 BRIEF INTRODUCTION

多年来，我们一直专注于工业自动化电器在塑料机械领域的应用，现拥有一大批专业的技术人才，专业高压测试设备，自动化电子元件检测仪器及各种产品测试的专用设备，它为我们产品的研发，可靠性能测试，投产提供了软硬件保障。我们自主研发的HW系列电晕处理机采用PDM高压电源技术已与国际先进水平接轨，一经推出就得到广大客户的认可，我司的产品覆盖高、中、低等不同档次，性价比与同行业其他公司有着不可比拟的优势。

我们自创立以来一贯坚持以依顾客需求为产品开发的根本，科技兴业为企业宗旨，在产品的生产包括原器件的使用，包装的设计都经过严格的挑选和评估。在售后服务方面也提出产品一年质保，终生维护的人性化举措，产品从出厂到经销商，合作厂商，终端客户每个环节都能感受到宏昶工控的热诚。

我们本着“以人为本，顾客至上，锐意进取，共同发展”的经营理念，不断的拓展销售市场，现全国已有上百家长期合作的塑机厂商，在十几个省市设立了产品经销点，产品销售网络遍布全国并远销至东南亚、南美、非洲等国家和地区。宏昶公司真诚感谢新老客户的支持，欢迎与更多的客户开展业务往来，愿我们的合作取得巨大的成功。

Hongchang Company focuses on Industrial automation electrical appliances in the application of plastic machinery for many years, and obtained a lot of professional and technical personnel, professional electric test equipments, automatic electronic components testing instruments and all kinds of special electronic testing equipments, which had provided security for product research, the testing performance and investments. Hongchang Company independently developed HW series Corona Treatment, adopting PDM high voltage power supply technology with advanced international standards, has gained very good reputation from many customers. Our products cover high, medium and low different grades, quality price ratio compared to other companies with the industry has unparalleled advantages

HongChang Company has consistently adhered to Customer demand as the fundamental, science and technology enterprise as business purposes. All products including the electronic components and package design have been carefully screened and evaluated against rigorous criteria. In the after-sales services, one-year warranty and Lifetime Maintenance for all products, which are from our factory to dealers and customers, each link showing our fervent service.

We are guided by "people-oriented, customer first, forge ahead, mutual development " business philosophy, extending our sales market, and cooperating with hundreds of plastic companies. Now we set up offices and distribution outlets in more than dozen provinces, product sales network all over the country and exported to southeast asina, south america, africa and other countries and regions. We sincerely appreciate the support from our customers. We would be liked to set up business relation with more new clients and wish our cooperation to be great success.

PRODUCT CATALOG 产品目录

01	HW2000系列小功率卧式电晕处理机（油浸式）	Small Power Horizontal Type Corona Treatment（Oil Type）
01	HW2000E小功率卧式电晕处理机（干式）	Small Power Horizontal Type Corona Treatment（Dry Type）
02	HW2000F小功率立式电晕处理机(油浸式)	Small Power Vertical Type Corona Treatment（Oil Type）
02	HW2000H小功率数码电晕处理机(干式)	Small Power Digital Type Corona Treatment（Dry Type）
03	HW2000G小功率立式电晕处理机(干式)	Small Power Vertical Type Corona Treatment（Dry Type）
03	HW-PC片材电晕处理机	Sheet Material Corona Treatment
04	HW-SB薄膜锁边机	Film Edge Fixing Machine
04	HW-BZ杯子电晕处理机	Cup, Tube, Cask Corona Treatment
05	HW3000中功率电晕处理机	Medium Power Corona Treatment
06	HW3000大功率电晕处理机	Large Power Corona Treatment
07	电晕处理架系列	Corona Processing Frame Series
08	电晕处理机配件	Corona Treatment Accessories
09	HW-3D三维曲面电晕处理机	Three Dimensional Curved Surfaces Corona Treatment
10	HW-PT等离子电晕处理机	Plasma Corona Treatment
11	HW-DS/CS/II静电消除器&放电棒	Electrostatic Eliminaotor &Discharging Bar
12	HW-BF全自动补风控制器	Automatic Air-feeding Controller
13	HW-FZ磁粉制动器	Magnetic Powder Brake
14	HW-FL磁粉离合器	Magnetic Powder Clutch
15	HW-III手动张力控制器(板)	Manual Tension Controller(Board)
16	HW-TB-1000自动恒张力控制器	Automatic Tension Controller
16	HW-RA纠偏执行器	Deviation Correction Actuator
17	HW-GB/III光电纠偏控制器	Photoelectric Deviation Rectifying Controller
18	HW-LJKY力矩电机控制器（板）	Torque Motor Controller（Board）
18	HW-PM永磁直流电动机	Permanent Magnet DC Motor
19	滑差电机调速板	Slip Motor Speed Adjusting Board
19	直流调速板	Dc Speed Control Board
20	位移控制器	Displacement Controller
20	光电传感器	Photoelectric Sensor
20	特氟龙胶带	Teflon Adhesive Tapes



HWGONGKONG

HW2000 Series

小功率卧式电晕处理机 (油浸式)
Small Power Horizontal Type Corona Treatment (Oil Type)



适用范围 Application

PP, CPP, BOPP, PE, PET, HDPE, LDPE, PS, PI, PVC, ABS, 无纺布、合成纸、镀铝膜、镭射膜、铝铂、铜铂、各种不干胶标签。
PP, CPP, BOPP, PE, PET, HDPE, LDPE, PS, PI, PVC, ABS, Film, Packing, Aluminum Platinum, Copper Platinum, A Variety Of Self-adhesive Label.

主要特点

- 1.采用高压快速功率晶体管作为功率转换器件;
- 2.超高效能, 高频输出 (8~25KHz);
- 3.输出功率连续可调;
- 4.全电子保护, 低速度自停;

Main Characteristics

1. It adopts high voltage fast-switching power transistor for invert circuit
2. High efficiency, high operating frequency.(8-25KHz)
3. Power output is continuous adjustable.
4. Electronic protection and low speed automatic off.

HW2000E Series

小功率卧式电晕处理机 (干式)
Small Power Horizontal Type Corona Treatment (Dry Type)



适用范围 Application

高速宽幅吹膜、淋膜、挤出、印刷、复合、上胶、涂布、糊盒机等其它特种行业的印刷前及上胶前的预处理;
High-speed wide blown film, spray bonding, extrusion, printing, compound, glue spreading, coating, box-pasting and other special industries, on the pretreatment of plastic.

主要特点

1. 多功能数码显示, 运行参数一目了然, 简单易懂;
2. 内置过温, 过流, 高压短路, 高压开路, 高压跳火, 地线未接保护;
3. 进口 IGBT 管作为输出单元, 保证功率输出稳定。支持不间断工作;
4. 设置传感器接口, 可配置电晕架实现停转, 开盖保护;

Main Characteristics

1. Multifunctional digital display, operating parameters at a glance, easy to understand.
2. Built-in Over-temperature, Over-current, High-voltage Short-circuit, High-voltage open circuit, High-voltage Fire-out, Ground wire unprotected.
3. Imported IGBT tube is used as the output unit to ensure the stability of the power output. Support for uninterrupted work.
4. Sensor interface can be configured to realize stop operation and open cover protection.

技术参数 Technical Parameters

型号 Type	输入电压 Power Supply	工作频率 Operation Frequency	输出电压 Output Voltage	最大功率 Max Output Power	处理宽度 Max Treating Width	产品尺寸 Product Size	产品净重 Product Net Weight
HW2001	AC220V	8-25KHz	15kv	1.5kw	800mm	520*300*230mm	14kg
HW2002	AC220V	8-25KHz	15kv	2kw	1000mm	520*300*230mm	14kg
HW2002E	AC220V	10-25KHZ	15kv	2kw	1000mm	480*270*200mm	13kg
HW2003E	AC220V	10-25KHZ	15kv	3kw	1200mm	480*270*200mm	13kg
HW2004E	AC220V	10-25KHZ	15kv	4kw	1500mm	570*340*200mm	16kg

HW2000F Series

小功率立式电晕处理机(油浸式)
Small Power Vertical Type Corona Treatment (Oil Type)



主要特点

1. 功率输出大小数码显示, 设置简单;
2. 采用油浸高压包, 使用寿命长;
3. 软启动功能, 防止误操作;
4. 设置传感器接口, 可配置电晕架实现停转, 开盖保护;

Main Characteristics

1. Power output size digital display, easy to set.
2. Adopt oil immersion high pressure ladle, long service life.
3. Soft start function to prevent misoperation.
4. Sensor interface can be configured to realize stop operation and open cover protection.

适用范围 Application

高速宽幅吹膜、淋膜、挤出、印刷、复合、上胶、涂布、糊盒机等其它特种行业的印刷前及上胶前的预处理;
High-speed wide blown film, spray bonding, extrusion, printing, compound, glue spreading, coating, box-pasting and other special industries, on the pretreatment of plastic.

HW2000H Series

小功率数码电晕处理机(干式)
Small Power Digital Type Corona Treatment (Dry Type)



主要特点

1. 外观新颖, 安装方便, 多功能数码显示, 运行参数一目了然, 简单易懂;
2. 内置过温, 过流, 高压短路, 高压开路, 高压跳火, 地线未接保护;
3. 进口 IGBT 管作为输出单元, 保证功率输出稳定。支持不间断工作;
4. 设置传感器接口, 可配置电晕架实现停转, 开盖保护;

Main Characteristics

1. The appearance is novel, the installation is convenient, the multifunctional digital display, the running parameter is clear at a glance, simple and easy to understand.
2. Built-in Over-temperature, Over-current, High-voltage Short-circuit, High-voltage open circuit, High-voltage Fire-out, Ground wire unprotected.
3. Imported IGBT tube is used as the output unit to ensure the stability of the power output. Support for uninterrupted work.
4. Sensor interface can be configured to realize stop operation and open cover protection.

技术参数 Technical Parameters

型号 Type	输入电压 Power Supply	工作频率 Operation Frequency	输出电压 Output Voltage	最大功率 Max Output Power	处理宽度 Max Treating Width	产品尺寸 Product Size	产品净重 Product Net Weight
HW2002F	AC220V	8-25KHZ	15kv	2kw	800mm	610*180*410	14kg
HW2003F	AC220V	8-25KHZ	15kv	3kw	1200mm	610*180*410 300*250*200	14kg/10kg
HW2004F	AC220V	8-25KHZ	15kv	4kw	1500mm	610*180*410 350*300*300	14kg/30kg
HW2002H	AC220V	10-25KHZ	15kv	2kw	800mm	610*180*410	22kg
HW2003H	AC220V	10-25KHZ	15kv	3kw	1200mm	610*180*410	23kg

HW2000G Series

小功率立式电晕处理机 (干式)

Small Power Vertical Type Corona Treatment (Dry Type)

主要特点

1. 采用日本富士 IGBT 模块作为输出单元,输出功率稳定;
2. 数字显示功率输出,设置未启动报警装置,防止误操作;
3. 固定高频工作模式,处理效果好;
4. 设置传感器接口,可配置电晕架实现停转,开盖保护;
5. 适用于高速宽幅吹膜、淋膜、挤出、印刷、复合、上胶、涂布、糊盒机等其它特种行业的印刷前及上胶前的预处理;

Main Characteristics

1. Japanese Fuji IGBT module is used as the output unit, and the output power is stable.
2. Digital display power output, set not start alarm device to prevent misoperation.
3. Fixed high frequency working mode, good processing effect.
4. Sensor interface can be configured to realize stop operation and open cover protection.
5. High-speed wide blown film, spray bonding, extrusion, printing, compound, glue spreading, coating, box-pasting and other special industries, on the pretreatment of plastic.



技术参数 Technical Parameters

型号 Type	输入电压 Power Supply	工作频率 Operation Frequency	输出电压 Output Voltage	最大功率 Max Output Power	处理宽度 Max Treating Width	产品尺寸 Product Size	产品净重 Product Net Weight
HW2002G	AC220V	25KHZ	15kv	2kw	800mm	610*180*410 mm	21kg
HW2003G	AC220V	25KHZ	15kv	3kw	1200mm	610*180*410 mm	22kg

HW-PC Series

片材电晕处理机

Sheet Material Corona Treatment

- 输送带速度: 0-20m/min Running Speed: 0-20m/min
 处理宽度: 根据客户需要而定 Treat Width: According To Customer's Requirements
 电晕功率: 1-8KW Corona Power: 1-8kW
 被处理材料最小纵向尺寸: 200mm Treated Material Longitudinal Size: 200mm



主要特点 Main Characteristics

片材电晕处理机是对塑料片材,金属膜片材,纸张表面进行电晕处理的专用设备,被处理的材料由输送带传送通过放电区域后表面的粘合力得到了提高,通过调整控制面板上的旋钮可改变传送带速度和电晕功率强度,以满足不同的处理要求。

Sheet material corona treatment is corona treat equipment for the plastic material, metal film piece material, the surface of paper. The treated material trough the discharge area by the conveyor belt, this can strengthen the penetration on the surface of material, it can change the strength of the conveyor belt speed and corona frequency by the button of the control panel to satisfy the different requirement.

HW-SB Series

薄膜锁边机

Film Edge Fixing Machine

用途 Usage

本机用于流延膜生产线上薄膜的定边,使骤冷辊上的薄膜宽度锁定在一定的范围之内。
The machine is used on production line of films that can fix edge of film on roller within in certain range.



HWGONGKONG

主要特点

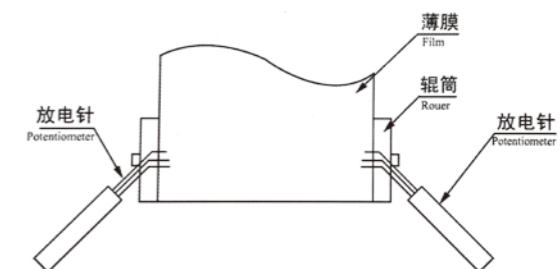
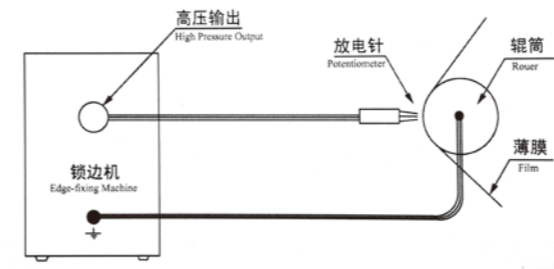
薄膜锁边机工作时能产生高压直流电,利用高压直流电来击穿薄膜周围的空气,形成离子流和静电子场,然后使薄膜吸附于骤冷辊上,阻止薄膜因冷却而产生宽幅收缩,确保薄膜的宽度符合要求。

1. 体积小,安装方便,操作简单,
2. 输出电压0-20KVDC,功率大小可以按流延膜生产线的速度随时可调。
3. 性能稳定,安全可靠,定边效果好。

Main Characteristics

The machine can output high pressure direct current when it is working. The direct current can be used to breakdown air surrounding the film and form ion beam and static electron field. So that the film will be adsorbed on rollers without shrink in big range. The machine will guarantee width of the film produced to be controlled according to standard.

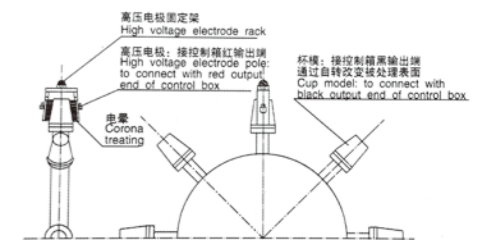
1. Small size, convenient installation, Easy operation,
2. Output voltage of the machine is 0-20KVDC, and power can be adjusted according to speed of the production line at any time.
3. The machine is stable, safe and good edge fixing quality.



HW-BZ Series

杯子电晕处理机

Cup, Tube, Cask Corona Treatment



技术参数 Technical Parameters

型号 Type	输入电压 Input Voltage	输入电流 Input Current	电极电压 Voltage	最大处理宽度 Max Treating Width	适用范围 Application
HW-BZ01	220V	4A(MAX)	12KV	10-15CM(MAX)	塑料杯子, 软管
HW-BZ02	220V	7A(MAX)	12KV	40CM(MAX)	塑料桶

HW3000 Series

中功率电晕处理机

Medium Power Corona Treatment

适用范围 Application

PP, CPP, BOPP, PE, PET, HDPE, LDPE, PS, PI, PVC, ABS, 无纺布、合成纸、镀铝膜、镭射膜、铝铂、铜铂、各种不干胶标签。

PP, CPP, BOPP, PE, PET, HDPE, LDPE, PS, PI, PVC, ABS, Film, Packing, Aluminum Platinum, Copper Platinum, A Variety Of Self-adhesive Label.



主要特点 Main Characteristics

1. 主回路采用进口IGBT的功率模块组成的全桥式逆变电路;
2. 固定电路工作频率, 调节脉冲宽度而改变输出功率;
3. 具有软启动功能, 防止大电流对电网的污染及对设备的损害;
4. 具有输入缺相, 过流, 过热保护等功能;
5. 具有胶辊停转及电晕架开启保护功能, 极大减少胶辊被击穿的可能。

1. It adopts the imported driver circuit and power organ IGBT in the full bridge main Loop.
2. Fixedness operating frequency Adjust the width of pulse to adjust the output.
3. It has the function of soft-start, which can reduce the pollution to the net and protect the equipment.
4. It has kinds of protection such as phase absence protection, over current protection and excess temperature protection.
5. The protections of stop-running and rake-opening prevent the rubber roller from burning.

技术参数 Technical Parameters

型号 Type	输入电压 Power Supply	工作频率 Operation Frequency	输出电压 Output Voltage	最大功率 Max Output Power	产品尺寸 Product Size	产品净重 Product Net Weight
HW-3004	AC380V	19KHz	15KV	4KW	380*300*860 350*280*290mm	40kg/50kg
HW-3006	AC380V	19KHz	15KV	6KW	380*300*860 350*280*290mm	40kg/50kg
HW-3008	AC380V	19KHz	15KV	8KW	380*300*860 350*280*290mm	40kg/50kg
HW-3010	AC380V	19KHz	15KV	10KW	380*300*860 350*280*290mm	40kg/50kg

HW3000 Series

大功率电晕处理机

Large Power Corona Treatment



HWGONGKONG

适用范围 Application

PP, CPP, BOPP, PE, PET, HDPE, LDPE, PS, PI, PVC, ABS, 无纺布、合成纸、镀铝膜、镭射膜、铝铂、铜铂、各种不干胶标签。

PP, CPP, BOPP, PE, PET, HDPE, LDPE, PS, PI, PVC, ABS, Film, Packing, Aluminum Platinum, Copper Platinum, A Variety Of Self-adhesive Label.



主要特点 Main Characteristics

1. 采用IGBT功率转换器件可靠性高
2. 工作频率自动跟踪, 锁定
3. 轻载启动装置, 减少对电网的污染
4. 具有输入缺相, 错相, 过压, 过流, 输出短路及跳火保护功能
5. 具有胶辊停转及电极架开启保护功能, 极大减少胶辊被击穿的可能。

1. It adopts power switching IGBT module, and is high reliability.
2. It tracks and locks the operating frequency automatically.
3. It has the function of low load start, which can eliminate the interference to the power supply and electronic equipment.
4. It has kinds of protection such as phase absence protection, phase error protection, over voltage protection and short circuit protection.
5. It has protection function for the rubber roller stop-running and electrode opening.

技术参数 Technical Parameters

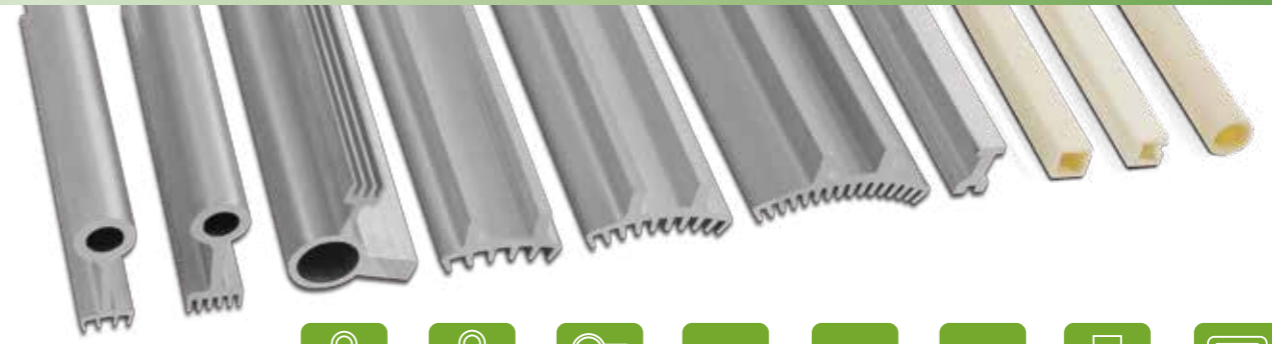
型号 Type	输入电压 Power Supply	工作频率 Operation Frequency	输出电压 Output Voltage	最大输出功率 Max Output Power	产品尺寸 Product Size	产品净重 Product Net Weight
HW-3010	AC380V	15-40KHz	15KV	10KW	600*600*1800 410*320*310mm	170kg/50kg
HW-3012	AC380V	15-40KHz	15KV	12KW	600*600*1800 410*320*310mm	170kg/50kg
HW-3015	AC380V	15-40KHz	15KV	15KW	600*600*1800 410*320*310mm	170kg/50kg
HW-3020	AC380V	15-40KHz	15KV	20KW	600*600*1800 410*320*310mm	170kg/50kg

电晕处理架系列

Corona Processing Frame Series



HWGONGKONG



铝齿电极
Aluminum Tooth Electrode



铝齿电极
Aluminum Tooth Electrode



铝齿电极
Aluminum Tooth Electrode



铝齿电极
Aluminum Tooth Electrode



铝齿电极
Aluminum Tooth Electrode



铝齿电极
Aluminum Tooth Electrode



铝齿电极
Aluminum Tooth Electrode



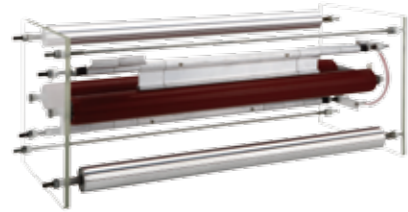
陶瓷电极
Ceramic Electrode



陶瓷电极
Ceramic Electrode

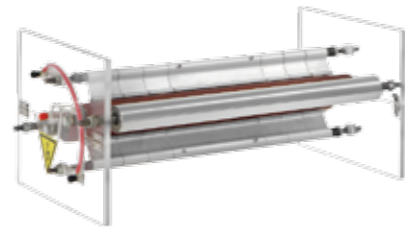


陶瓷电极
Ceramic Electrode



HW-GF

普通有机玻璃开放式电晕处理架 (有机玻璃挡板)
Normal Glass Open Type Corona Processing Frame (Organic Glass Baffle)



HW-DF

普通有机玻璃分体式电晕处理架 (有机玻璃挡板)
Normal Glass Split Type Corona Processing Frame (Organic Glass Baffle)



HW-IF

普通封闭式电晕处理架
Normal Closed Type Corona Processing Frame



HW-SF

半罩封闭式电晕处理架 (停机保护/臭氧排气)
Half-mask Closed Type Corona Processing Frame (Function:Shutdown Protection/Ozone Exhaust)



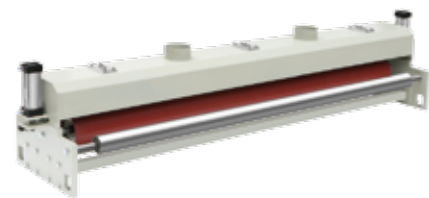
HW-SGF

半罩有机玻璃式电晕处理架 (停机保护/臭氧排气)
Half-mask Organic Glass Type Corona Processing Frame (Function:Shutdown Protection/Ozone Exhaust.)



HW-TF

半罩内含变压器式电晕处理架 (停机保护/臭氧排气/G系列电晕机搭配使用)
Half-mask Containing Transformer Type Corona Processing Frame (Function:Shutdown Protection/Ozone Exhaust/Combined use of "G" Series Corona Machine)



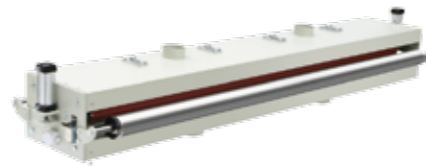
HW-AFS

封闭式气缸单面电晕处理架 (正面安装)
Closed Cylinder Single-sided Type Corona Processing Frame (Frontal Mounting)



HW-ACFS

封闭式气缸单面电晕处理架 (侧面安装)
Closed Cylinder Single-sided Type Corona Processing Frame (Side Mounting)



HW-AFD

封闭式气缸双面电晕处理架
Closed Cylinder Double-Sided Type Corona Processing Frame



HW-CF

封闭式陶瓷单面电晕处理架 (方形、圆形陶瓷放电电极)
Closed Ceramic Single-sided Type Corona Processing Frame (Square /Circle Ceramic Discharge Electrode)



HW-CBF

封闭式陶瓷单面电晕处理架 (方形、圆形陶瓷放电电极/不锈钢材外罩)
Closed Ceramic Single-sided Type Corona Processing Frame (Square /Circle Ceramic Discharge Electrode/Stainless Steel Cover)



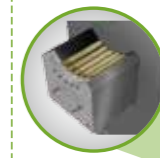
HW-LXF

侧抽风式气缸双面电晕处理架 (不锈钢材外罩/氧化铝材挡板)
Lateral Downdraught Cylinder Type Double-sided Corona Processing Frame;(Stainless Steel Cover/Aluminum Oxide Baffle)



HW-LYF

侧抽风式气缸双面电晕处理架 (氧化铝材外罩/挡板)
Lateral Downdraught Cylinder Type Double-sided Corona Processing Frame; (Aluminum Oxide Cover and Baffle)



HW-CDF

抽屉式陶瓷单面电晕处理架 (方形、圆形陶瓷放电电极/不锈钢材外罩/氧化铝材挡板)
Drawer Ceramic Single-sided Type Corona Processing Frame; (Square /Circle Ceramic Discharge Electrode/Stainless Steel Cover/ Aluminum Oxide Baffle)

1. 单(双)面
2. 停机保护
3. 臭氧排气
4. 气缸开启
5. 外壳以及挡板选材: 不锈钢材, 氧化铝材
6. 铝质放电电极, 陶瓷放电电极
7. 进口防击穿硅胶管, 有效寿命 10000 小时以上

1. Single (Double) Side
2. Shutdown Protection
3. Ozone Exhaust
4. Cylinder Opening
5. Shell and Baffle Material: Stainless Steel, Aluminum Oxide
6. Aluminum Discharge Electrode, Ceramic Discharge Electrode
7. Imported Anti-breakdown silicone tube, effective life more than 10000 hours.

电晕处理机配件

Corona Treatment Accessories



硅胶管
Silicone Sleeve



高压线
High-voltage Cable



陶瓷接线柱
Ceramic Terminal



达因笔
Dyne Pen



达因笔
Dyne Pen



达因液
Dyne Liquid



HWGONGKONG

HW-3D Series

三维曲面电晕处理机
Three Dimensional Curved Surfaces
Corona Treatment



主要特点 Main Characteristics

1. 采用低温等离子产生的高能离子电浆，对物体的表面，异形件表面进行电晕处理，电晕量大小从零开始连续可调
2. 具有过压，过流和短路保护。
3. 处理喷头可手持或固定安装。

1. With high-energy plasma which is produced by low temperature plasma to treat the surface of heterozygote surface, the output of corona is continuous adjustable.
2. It has kinds of protection such as over voltage, over current and short circuit protection.
3. The muzzle may hand hold or fixing mounting



用途 Application

直接印刷	帽和闭包	Direct Printing	Caps And Closures
烫印	绘画和装饰	Hot Stamping	Painting And Decorating
移印	杯子和餐具	Pad Printing	Cups And Containers
粘合层	挤压管、油管、配置文件	Adhesive Coating	Extruded Pipe, Tubing, Profiles
层压	医疗卫生产品	Laminating	Medical And Health Care Products
	电气/电子组件		Electrical/Electronic Components
	电线电缆		Wire And Cable

技术参数 Technical Parameters

型号 Type	输入电压 Power Supply	输入电流 Input Current	输出电压 Output Voltage	输出功率 Output Power	最佳处理距离 Best Treatment Distance	最大处理宽度 Max Treating Width	产品尺寸 Product Size	产品净重 Product Net Weight
HW-3D-01	220V	2.5-3A	15KV	500W	8-10CM	5CM	510*300*210 mm	13kg
HW-3D-02	220V	4-5A	15KV	1000W	8-10CM	10CM	470*445*210 mm	19kg

HW-PT Series

等离子电晕处理机
Plasma Corona Treatment



技术参数	Technical Parameters
输入电压	Input Voltage AC220V ± 10%
输出电压	Output Voltage 15KV
输出功率	Output Power 1KVA
工作频率	Working Frequency 20-25KHZ
压缩空气	Compressed Air 0.1-0.2MP (保持清洁干燥) (Keep clean and dry)
适配喷头	Adapter Nozzles 1-2个直喷型喷头和 1-2个旋转喷头 1-2 units Direct-injection nozzles or 1-2 units Rotary nozzles
尺寸	Size 485*665*215mm (W*L*H)
重量	Weight 20kg

主要特点

1. 本设备安装简单，连接气源和电源即可工作，无需任何调整；
2. 单台可匹配多头或多台并用，支持连续工作；
3. 内置过流，过温，过压，独立设置安全门确保使用安全；
4. 采用 SMC 气压开关，数显控制气压大小；
5. 处理速度最快可达到 400M/Min；
6. LED 显示整机工作状态，简单易懂；
7. 设置连续 / 间断切换开关，方便不同控制方法；

Main Characteristics

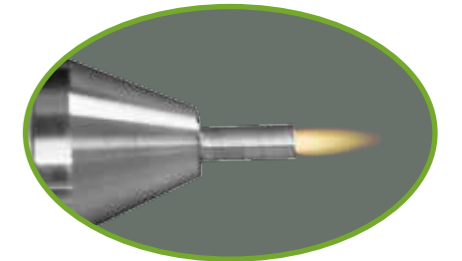
1. The installation of the device is simple, the gas source and power supply can be connected to work without any adjustment.
2. Single unit can match multiple or more units to support continuous work.
3. Built-in over-current, over-temperature, over-pressure, independently set the safety door to ensure safe use.
4. Adopt SMC pneumatic switch, the digital display controls the air pressure size.
5. The fastest processing speed can reach 400M/Min.
6. LED display the whole machine working status, easy to understand.
7. Continuous / discontinuous switching switches are set to facilitate different control methods.

X10直喷型等离子喷头

适用范围：可处理导电和非导电材料
尺寸：224*OD32mm(未含电缆线)
电缆软管长度：2.5M
重量：1kg
处理宽度：8-12mm

X10 Direct Injection Plasma Nozzle

Application: Conductive and Non-conductive materials
Size: 224 *OD32 (Excluding Cable)
Cable Hose Length: 2.5m
Weight: 1 kg
Processing Width: 8-12mm

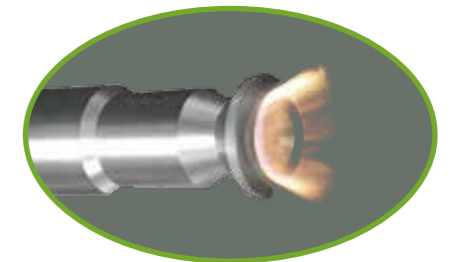


X50旋转型等离子喷头

适用范围：可处理导电和非导电材料
尺寸：94*94*310mm(未含电缆线)
电缆软管长度：2.5M
重量：3kg
处理宽度：30mm-40mm

X50 Rotary Plasma Nozzle

Application: Conductive and Non-conductive materials
Size: 94 *94*310mm (Excluding Cable)
Cable Hose Length: 2.5m
Weight: 3kg
Processing Width: 30mm-40mm

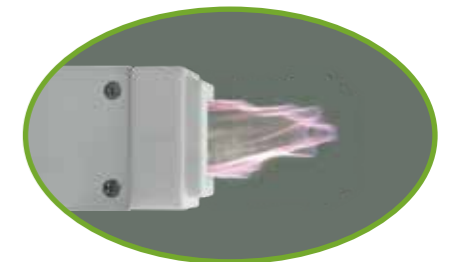


HX35扁宽型处理喷头

适用范围：非导电材料
尺寸：38*64*168mm(未含电缆线)
电缆软管长度：2.5M
重量：1kg
处理宽度：25mm-50mm

HX35 Flat And Wide Processing Nozzle

Application: Non-conductive Materials
Size: 38*64 *168mm (Excluding Cable)
Cable Hose Length: 2.5m
Weight :1kg
Processing Width: 25mm-50mm



HW-DS/CS/II Series

静电消除器&放电棒

Electrostatic Eliminator & Discharging Bar

静电消除器是通过高压电源发生器产生一定值高压施加于放电针上，正离子与负静电中和，负离子与正静电中和从而达到消除静电和防范静电的目的。

Static eliminator is generated high pressure by high voltage power generator on needle, positive ions and negative electrostatic neutralization, anion and electrostatic neutralization to eliminate static electricity and electrostatic prevention purposes.

主要特点

1. 采用油浸式/干式高压变压器，克服了市场上用环氧树脂浇注的高压变压器易短路，易打火的弊病，
2. 采用进口电容器，耐压高，温度特性好，
3. 具有无火花放电，可长时间输出短路。

Main Characteristics

1. It adopts oil-immersed / dry-type high-voltage transformer, overcome easy short circuit and sparking epoxy resin casting high-voltage transformer.
2. Imported capacitors with good pressure-resistant and temperature-resistant
3. No spark discharge, long time output short circuit

直接式静电消除器&放电棒 HW-DS Direct Type Electrostatic Eliminator & Discharging Bar



直接式静电消除器&放电棒 HW-DS Direct Type Electrostatic Eliminator & Discharging Bar



电容式静电消除器&放电棒 HW-CS Capacitive Type Electrostatic Eliminator & Discharging Bar



干式静电消除器&放电棒 HW-II Dry Type Electrostatic Eliminator & Discharging Bar



技术参数 Technical Parameters

型号 Model	输入电压 Input Voltage	输出电压 Output Voltage	额定功率 Rated Power	输出方式 Output Mode	外壳材质 Cover Material	工作方式 Working Way
HW-10KV	AC220V	10KV	120W	直接式DS/电容式CS/干式II Direct-DS/ Capacitance-CS/Dry-II Type	铁壳 Iron	24h连续 24h continuation
HW-15KV	AC220V	15KV	200W	直接式DS/电容式CS/干式II Direct-DS/ Capacitance-CS/Dry-II Type	塑壳 Plastic	24h连续 24h continuation
HW-16KV	AC220V	16KV	250W	直接式DS/电容式CS/干式II Direct-DS/ Capacitance-CS/Dry-II Type	铁壳 Iron	24h连续 24h continuation
HW-18KV	AC220V	18KV	280W	直接式DS/电容式CS/干式II Direct-DS/ Capacitance-CS/Dry-II Type	铁壳 Iron	24h连续 24h continuation

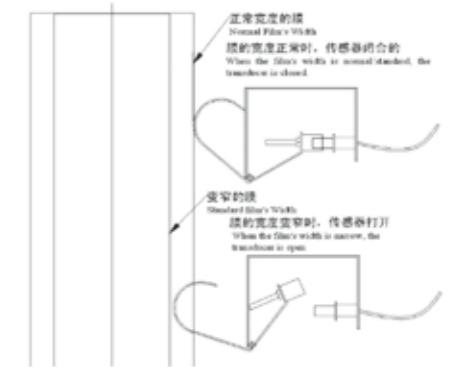
HW-BF Series

全自动补风控制器

Automatic Air-feeding Controller



HWGONGKONG

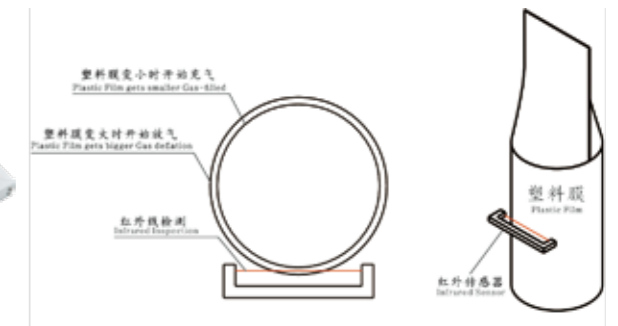


工作原理

当吹膜机工作中出现系统漏气时导致膜变窄，紧靠在膜上的传感器把信号反馈到主控制器，控制电磁阀打开给膜头补气，同时伴有报警声，直到膜的宽度正常后，才关闭电磁阀，停止报警。

Working Principle

During the blowing process, the air leakage could make the film narrow, then the transducer close to the film will feedback this signal to main controller, and open the electromagnetic valve to feed air to mould, with the alarm, until the film's width is regular, then close the electromagnetic valve without alarm.



主要特点

1. 采用单片机控制，控制精准，线路简洁；
2. 全封闭无接触式红外感应探头，使用寿命长；
3. 自动充气，放气，全自动控制膜的宽度，控制精度可达到0.2mm；
4. 设置自动报警，可实现无人值守生产；

Main Characteristics

1. Single chip microcomputer control, precise control, simple line.
2. Fully enclosed non-contact infrared induction probe, long service life.
3. Automatically inflate, release gas, fully automatic control film width, control accuracy can reach 0.2mm.
4. Set automatic alarm, and realize unattended production.

技术参数 Technical Parameters

型号 Model	输入电压 Input Voltage	额定功率 Rated Capacity	传感器方式 Sensor Way	动作时间 Action Time	安装方式 Installation
HW-BF-1	AC220V	25W	接触式 Contact-Mode	≤1S	壁挂式 Wall Mounting Type
HW-BF-2	AC220V	25W	接触式 Contact-Mode	≤1S	台式 Table Type
HW-BF-3	AC220V	30W	红外光电式 Infrared Photoelectric	≤1S	壁挂式 Wall Mounting Type
HW-BF-5	AC220V	50W	红外光电式 Infrared Photoelectric	≤1S	壁挂式 Wall Mounting Type



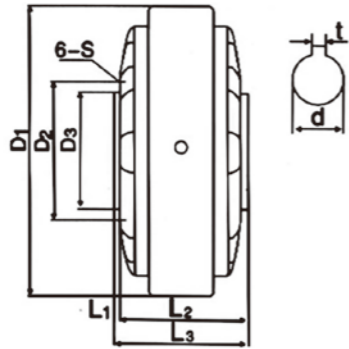
HWGONGKONG

HW-FZ Series

磁粉制动器

Magnetic Powder Brake

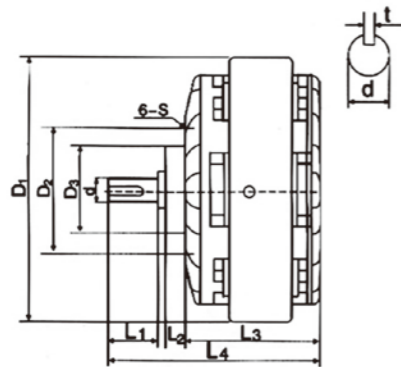
空心轴系列磁粉制动器
Hollow Shaft Series Magnetic Powder Brake



技术参数 Technical Parameters

型号 Model	主要技术参数 Technical Specification				包形尺寸 Overall Dimensions								净含量 Net Weight
	转矩 Torque	电压 Voltage	转速 Speed	最大电流 Max Current	D1	D2	D3	L1	L2	L3	d	6-S	
FZ6K-3	6	24V	1000	0.8A	130	62	52	3	57	60	16	M4	2.5Kg
FZ15K-3	15			1.5A	150	82	65	3	67	70	20	M5	4Kg
FZ25K-3	25			1.5A	182	110	90	4	74	78	25	M6	6.5Kg
FZ50K-3	50			2.0A	219	130	110	5	91	96	30	M8	11.5Kg
FZ100K-3	100		800	3.0A	260	140	120	5	105	110	35	M10	16Kg
FZ200K-3	200			3.0A	300	220	180	5	115	120	45	M10	24Kg

单轴系列磁粉制动器
Single Shaft Series Magnetic Powder Brake



技术参数 Technical Parameters

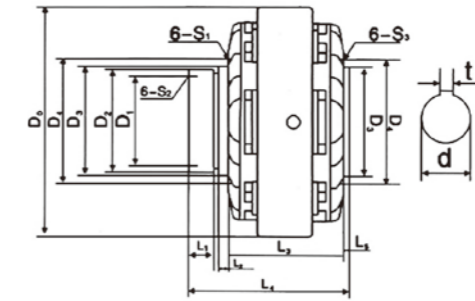
型号 Model	主要技术参数 Technical Specification				包形尺寸 Overall Dimensions								轴 Shaft 部 Part		R		净含量 Net Weight
	转矩 Torque	电压 Voltage	转速 Speed	最大电流 Max Current	D1	D2	D3	L1	L2	L3	L4	6-S	d	t	径 Diameter	深 Deep	
FZ6A-1	6	24V	1400	0.8A	130	62	44	25	10	67	107	M5	12	4	M4	8	3Kg
FZ15A-1	15			1.5A	161	62	50	30	15	87	133	M5	16	5	M4	8	5.6Kg
FZ25A-1	25			1.5A	182	78	58	40	19	91	154	M6	20	6	M6	10	8.4Kg
FZ50A-1	50			2.0A	219	100	75	50	22	110	185	M6	25	8	M6	12	15Kg
FZ100A-1	100		1000	2.0A	290	120	90	70	25	125	215	M8	30	8	M10	20	29.5Kg
FZ200A-1	200			3.0A	335	140	110	70	30	170	275	M10	35	10	M10	20	49Kg
FZ400A-1	400	4.0A	398	200	130	99	35	199	338	M12	45	14	M10	20	73Kg		

HW-FL Series

磁粉离合器

Magnetic Powder Clutch

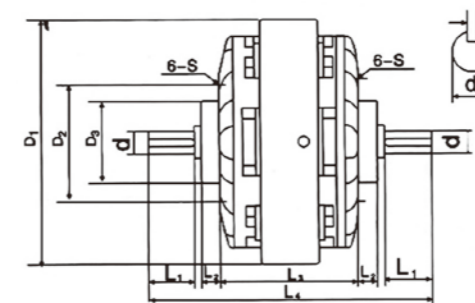
空心轴系列磁粉离合器
Hollow Shaft Series Magnetic Powder Clutch



技术参数 Technical Parameters

型号 Model	主要技术参数 Technical Specification				包形尺寸 Overall Dimensions											净含量 Net Weight	
	转矩 Torque	电压 Voltage	转速 Speed	最大电流 Max Current	D0	D1	D2xL1	D3xL2	D4	L3	L4	d	t	6-S2	6-S1		6-S3
FL6B-1	6	24V	1400	0.8A	130	50	60x16	62x6	70	64	91	12	4	M4	M5	M5	3Kg
FL15B-1	15			1.5A	157	63	70x18	71x7	80	77	107	20	5	M4	M5	M5	6Kg
FL25B-1	25			1.5A	182	71	80x25	82x10	97	93	122	25	6	M5	M6	M6	9Kg
FL50B-1	50			2.0A	219	85	95x26	97x11	110	110	152	30	8	M6	M8	M8	16.5Kg
FL100B-1	100		1000	2.0A	290	105	125x24	128x14	145	150	195	35	8	M8	M8	M8	37Kg
FL200B-1	200			3.0A	335	125	140x28	125x17	165	145	200	40	10	M8	M10	M10	48Kg
FL400B-1	400	4.0A	398	160	180x30	190x20	210	193	251	50	14	M10	M12	M12	75Kg		

双轴系列磁粉离合器
Double Shaft Series Magnetic Powder Clutch



技术参数 Technical Parameters

型号 Model	主要技术参数 Technical Specification				包形尺寸 Overall Dimensions											轴 Shaft 部 Part		R		净含量 Net Weight
	转矩 Torque	电压 Voltage	转速 Speed	最大电流 Max Current	D1	D2	D3	L1	L2	L3	L4	6-S	d	t	径 Diameter	深 Deep				
FL6A-1	6	24V	1400	0.8A	130	62	44	25	10	74	154	M5	12	4	M4	8	3Kg			
FL15A-1	15			1.5A	157	62	50	30	15	95	192	M5	16	5	M4	8	6Kg			
FL25A-1	25			1.5A	182	78	58	40	19	100	225	M6	20	6	M6	10	9Kg			
FL50A-1	50			2.0A	219	100	75	50	22	120	269	M6	25	8	M6	12	16.2Kg			
FL100A-1	100		1000	2.0A	290	120	90	75	25	158	347	M8	30	8	M10	20	34.5Kg			
FL200A-1	200			3.0A	335	140	110	75	30	186	396	M10	35	10	M10	20	56.5Kg			
FL400A-1	400	4.0A	398	200	130	99	35	222	500	M12	45	14	M10	20	80Kg					



HWGONGKONG



HW-I/II

手动张力控制器(板)
Manual Tension Controller(Board)



主要特点

手动张力控制器主电路采用电流负反馈型脉宽PWM控制输出, 该电路具有电流输出稳定, 功率管发热低等特点, 由于电路设计时采用了单电源30V输入故使张力板工作更稳定可靠。

Main Characteristics

Manual tension baffle-board adopts double power supply, whose main circuit adopts electric current feed backing and pulse width PWM to control output. The circuit has characteristic of outputting current steady, power tube less heat etc. It works steadier because we adopt single-power supply of 30V input when designing the circuit board.

技术参数 Technical Parameters

型号 Model	工作电压 Working Voltage	输出电流 Outputting Current	电流波动 Electric Current Fluctuate	显示方式 Display Mode	适配电位器 Mix Potentiometer	适配变压器 Mix Transformer	适配磁粉离合器 Mix Magnetic Power Clutch
HW-I/II-2A	AC30V±15%	0-2A	≤0.02A	指针显示/数码显示 Pointer /Digital	4.7K/2W	63W,220V/30V	1.5-20KG
HW-I/II-3A	AC30V±15%	0-3A	≤0.02A	指针显示/数码显示 Pointer /Digital	4.7K/2W	100W,220V/30V	1.5-30KG
HW-I/II-4A	AC30V±15%	0-4A	≤0.02A	指针显示/数码显示 Pointer /Digital	4.7K/2W	120W,220V/30V	1.5-40KG

HW-TB-1000

自动恒张力控制器
Automatic Tension Controller

液晶显示器可选择中文或英文显示 LCD can choose Chinese or English display
 自动与手动切换简单方便 Automatic and manual switch easily
 张力检测器布线简单方便 The tension detector for easy wiring
 便捷的参数设置 Convenient parameter Settings
 带双工位换轴输出功 With the function of double location in output shaft



技术参数 Technical Parameters

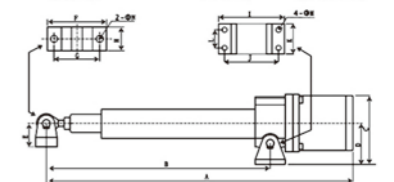
测量精度	Measure Accuracy	±1牛顿	±1Newton
采样速度	Sample Pace	100ms	100ms
主输出方式	Main Output Way	DC 0-2A (恒电流输出(适配负载阻抗8-12Ω))	Permanent Electric Current Output Dc 0-2a (Mix Load Impedance 8-12 Ω)
辅助输出	Assistance Output	模拟量信号输出DC 0-5V (MAX 10MA)	Analog Signal Output DC 0-5V (MAX 10MA)
面板尺寸	Front-panel Size	245 × 155 × 140mm(宽 × 高 × 深)	245×155×140mm (Length × Breadth × Height)
安装尺寸	Installing Size	230 × 150 × 120mm(宽 × 高 × 深)	230×150×120mm (Length × Breadth × Height)
电源	Power Supply	AC 180-245V 50/60Hz	AC 180-245V 50/60Hz

HW-RA

纠偏执行器
Deviation Correction Actuator

主要特点 Main Characteristics

结构简单, 运行平稳, 噪音小。
 安装方便, 万向节设计, 适用于大部分驱动场合。
 同步电机驱动, 内部精密滚珠丝杠, 精度高, 寿命长。
 适用一般通用机械, 卷速不超过180米/分钟速度的纠偏应用。
 Simple structure, smooth operation, low noise.
 Easy installation, universal design, suitable for most driving situations.
 Synchronous motor drive, internal precision ball screw, high precision, long service life.
 General use machinery, volume correction application speed does not exceed 180 m / min speed.



技术参数 Technical Parameters

型号 Model	电机规格 Size	电机转速 Speed	推物质量 Vectored-Thrust	推动方式 Push Approach	推行行程 Displacement	重量 Weight
HW-RA90	90-115	115r/min	500kg	滚珠丝杆 Ball screw	150mm	7.5kg
HW-RA110	110-115	115r/min	1000kg	滚珠丝杆 Ball screw	150mm	9.5kg

HW-GB/II/III Series

光电纠偏控制器
Photoelectric Deviation
Rectifying Controller

主要特点 Main Characteristics

- 内置智能单片机控制 Built in intelligent MCU control
- 纠偏响应速度可调节 The corrective response speed can be adjusted
- 可提供单电眼或双电眼纠偏 Provide single photocell or double photocell correction
- 跟线和跟边自定 With line and with the edge can decide by yourself
- 到边限位, 声光报警 Edge spacing limited ,sound and light alarm
- 附加脉宽PWM张力板 (HW-III) Additional pulse width PWM tension board(HW-III)

HW-LJKY

力矩电机控制器 (板)
Torque Motor Controller (Board)



主要特点 Main Characteristics

- 三相电机调节平衡 Three phase motor adjust balance
- 启动性能好 Turning on performance is good
- 引入电压负反馈技术使转矩更稳定 The technology of voltage negative feedback make the torque more stable
- 体积小, 重量轻 Small volume and weight



技术参数 Technical Parameters

型号 Model	输入电压 Inputting Voltage	输出电压 Outputting Voltage	最大电流 Max Current	三相误差 Three Phase Error	备注 Remark
LJKY-II10A	AC380V	0V(90V)-380V	10A	±10%	AC220V, AC420V, AC440V
LJKY-II20A	AC380V	0V(90V)-380V	20A	±10%	AC480V 可定做
LJKY-III20A	AC380V	0V(60V)-380V	20A	±3%	
LJKY-III30A	AC380V	0V(60V)-380V	30A	±3%	AC220V, AC420V, AC440V
LJKY-III50A	AC380V	0V(60V)-380V	50A	±3%	AC480V, Can Be Customized
LJKY-III80A	AC380V	0V(60V)-380V	80A	±3%	

HW-PM

永磁直流电动机
Permanent Magnet DC Motor

主要特点 Main Characteristics

- 体积小, 重量轻, 调速灵敏, 噪音低, 效率高等优点, 广泛用于自动化控制系统中作为副机执行原件, 也可作轻机械主机的驱动源。
- Magnetic DC Motor has the advantages of small size, light weight, Sensitive speed, low noise, high efficiency. It is widely used as vice machine execution elements in automatic control system, and also as drive source for light machinery.



技术参数 Technical Parameters

型号 Model	HW-PM200/300/400	HW-PM200/300/400
环境使用温度 Working Environment Temperature	-15 C -55 C	-15 C -55 C
海拔 Altitude	≤1000m	≤1000m
工作电压 Working Voltage	AC220V(可按客户要求定做)	AC220V(Can Be Made As Requirement)
工作制与定额 Duty With The Quota	连续(SI)	Continuous(SI)
冷却方式 Cooling Method	自然风冷	Air Cooling
绝缘等级 Insulation Grade	B级	B级
输出功率 Output Power	200W/300W/400W	200W/300W/400W
安装方式 Installation	立式卧式立式	Vertical/Horizontal/Vertical&Horizontal

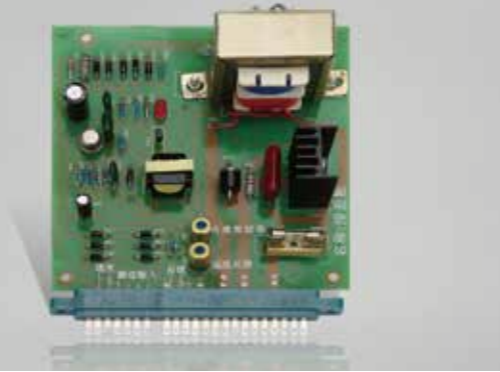
技术参数 Technical Parameters

型号 Model	HW-GB/II 光电纠偏控制器 HW-GB / II EPC	HW-III 光电纠偏控制器 HW- III EPC
工作电压 Working Voltage	AC220V ± 15% 50/60Hz	AC220V ± 15% 50/60Hz
检测方式 Checking Mode	检边, 跟线 Check Side, With line	检边, 跟线 Check Edge, With Line
纠偏精度 Epc Accuracy	±0.2mm	±0.2mm
响应时间 Echo Time	≤50ms (可调)	≤50ms (可调)
控制方式 Controlling Mode	单电眼, 双电眼 Single Photocell, Double Photocells	单电眼, 双电眼 Single Photocell, Double Photocell
输出电流 Outputting Current	0-2A	0-2A

滑差电机调速板 Slip Motor Speed Adjusting Board

滑差调速板是应用于电磁调速异步电机（滑差电机）的速度控制的线路板，可对滑差电机进行无极调速，具有接线简便操作简单，运行平稳，控制精度高等特点。

Slip palette is applied to the electromagnetic speed asynchronous motor (slip) motor speed control circuit board, can be infinitely adjustable-speed of slip motor, with the features of easy wiring simple operation, stable operation, high control precision, etc.



工作电压	Working Voltage	AC180-250V
最大输出电流	Max Outputting	3A
输出电压	Outputting Voltage	0-95V
适配电机功率	Adapting Motor	0.75-37KW
外型尺寸	Outline Dimension	140×125×45mm

直流调速板 Dc Speed Control Board



主要特点 Main Characteristics

- 配合位移控制器实现无级调速
- 配合红外光电开关实现远距离控制
- 引入电压负反馈技术使速度更平稳
- 带过流保护装置，性能更可靠
- 带软启动装置消除电机启动电流过大

With the displacement controller to achieve step less speed adjust
With infrared photoelectric switch remote control
The introduction of negative voltage feedback technology to make speed more smoothly
With over current protection devices, more reliable performance.
With a soft start device to eliminate the motor starting current is too large

小功率直流调速板 Small Power Dc Speed Control Board

型号 Model	工作电压 Working Voltage	最大电流 Max Current	电枢电压 Armature Voltage	励磁电压 Exciting Voltage	控制方式 Control Mode	接线方式 Connection Type	适配电机 Adapter Motor
SCR08G(200A)	AC220V±10%	4A	DC0-220V	DC200V/1A	光电 Photoelectric	端子式 Terminal	50W-300W
SCR08(200B)	AC220V±10%	4A	DC0-220V	DC200V/1A	位移, 光电 Displacement, Photoelectric	端子式 Terminal	50W-300W
TSCG-400(400A)	AC220V±10%	5A	DC0-220V	DC200V/1A	光电 Photoelectric	端子式 Terminal	50W-400W
TSCW-400(400B)	AC220V±10%	5A	DC0-220V	DC200V/1A	位移, 光电 Displacement, Photoelectric	端子式 Terminal	50W-400W

大功率直流调速板 High Power Dc Speed Control Board

型号 Model	工作电压 Working Voltage	最大电流 Max Current	电枢电压 Armature Voltage	励磁电压 Exciting Voltage	控制方式 Control Mode	接线方式 Connection Type	适配电机 Adapter Motor
DCSC600(600A)	AC220V±10%	6A	DC0-220V	DC200V/1A	位移, 光电 Displacement, Photoelectric	端子式 Terminal	50W-600W
DCSC800(800A)	AC220V±10%	8A	DC0-220V	DC200V/1A	位移, 光电 Displacement, Photoelectric	端子式 Terminal	50W-800W
TS1100(1100A)	AC220V±10%	10A	DC0-220V	DC200V/1A	位移, 光电 Displacement, Photoelectric	插箱式 Plug-in	50W-1100W
TS1500(1500A)	AC220V±10%	15A	DC0-220V	DC200V/1A	位移, 光电 Displacement, Photoelectric	插箱式 Plug-in	50W-1500W

位移控制器 Displacement Controller

主要特点 Main Characteristics

位移控制器是根据金属物体对其感应面的远近或感应面积大小而相应输出模拟电信号，当位移控制器与直流调速板连接可以实现自动无级调速时，调速板将依据位移控制器所给定的模拟信号对直流电机定速运转。

Displacement controller is based on the distance of metal objects and sensing area or the size of the sensing surface area corresponding outputting analog signals, when the displacement controller and DC motor speed control board connections can be automatic step less speed control board, it will be according to analog signal fixing by displacement control to give the DC motor running at constant speed



技术参数 Technical Parameters

工作电压	DC12V	Working Voltage
输出电压	0-11.5VDC	Outputting Voltage
最大输出电流	50mA	Max Outputting Current
外型尺寸	80×42×22mm	Outline Dimension

光电传感器 Photoelectric Sensor



技术参数 Technical Parameters

型号	Model	ZPS-2B	Z3N-TB22	Z3J-50E3
光电类型	Photoelectric Type	色标光电 Color Code	色标光电 Color Code	红外线光电 Infrared
输出方式	Output Mode	对射式 Transmission	同轴反射式 Coaxial Reflective	漫反射 Diffuse Reflectance
输入电压	Input Voltage	DC 10-30V	DC 10-30V	DC 10-30V
消耗电流	Consume Current	<50mA	<45mA	<45mA
检测距离	Distance Detection	0.5-3mm	10±2mm	50cm
响应速度	Response Speed	100µs	100µs	2ms
输出电流	Output Current	≤100mA	≤200mA	≤100mA
光源颜色	Light Source	红/绿/蓝 Red/Green/Blue	绿/蓝 Green/Blue	红外光 Infrared
外形尺寸	Dimension	110x30x70mm	100x28x58mm	53x19x33mm
重量	N.W	180g	350g	210g

特氟龙胶带 Teflon Adhesive Tapes

